



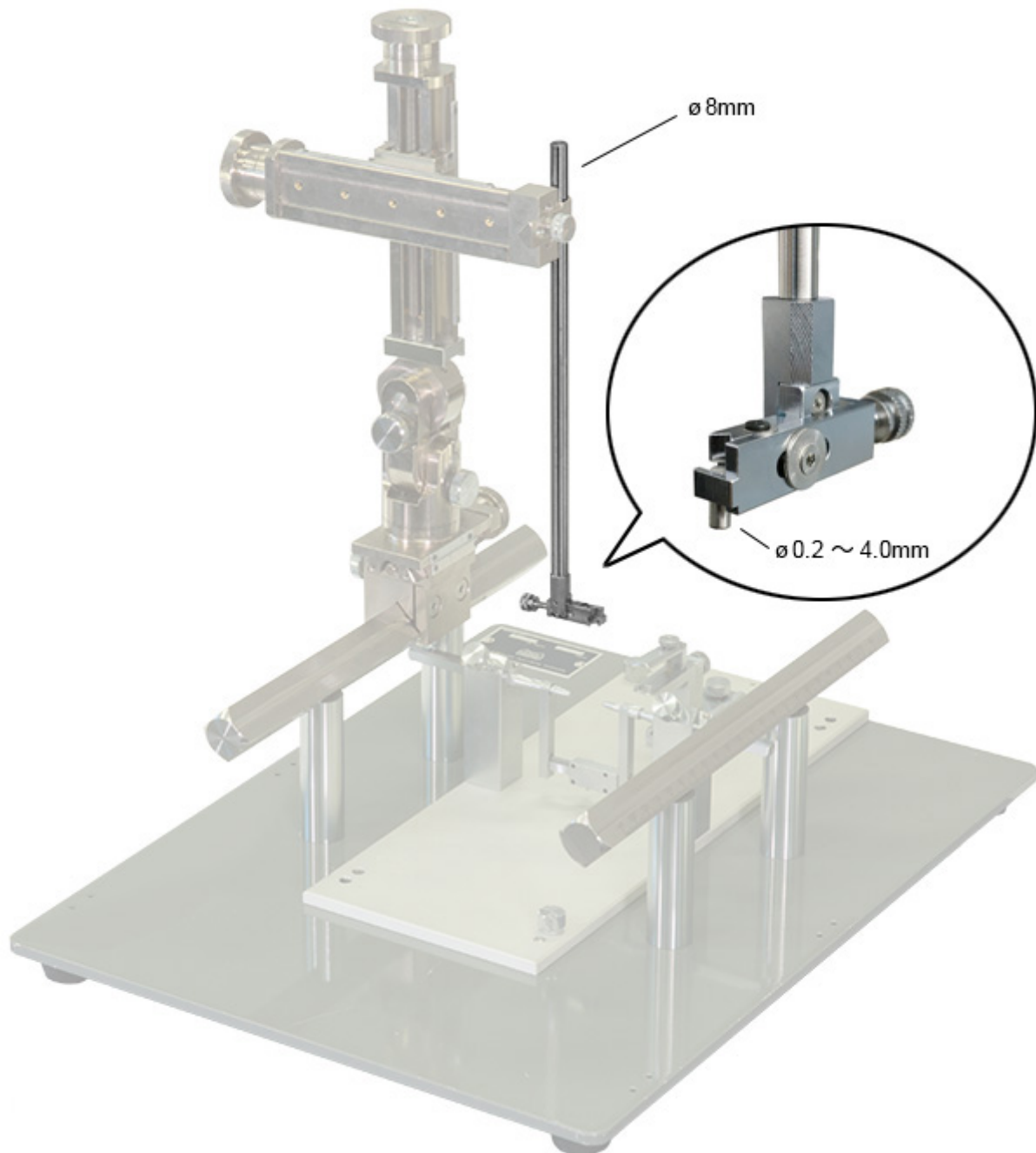
NEW

SMM-HE

Multiuse Holder

Holder for SMM series; the perfect tool for Optogenetic photostimulation

This holder is intended to hold the thickness from 0.2mm to 4.0mm O.D. It holds a fiber cannule/ferrule at 1.25~2.5mm O.D., for instance. To make the implanting preparation easier, a protruded tip of cannule can be seen and set from the one side so that the tip is not be interfered with the holder itself.



* SM-15HE: the multiuse holder for SM-15, and SM-25HE: the multiuse holder for SM-25 series are also available.

Specification

Dimensions/Weight

W11 × D36 × H222mm, 100g

 Holders for SMM series

Model	<u>SMM-A</u>	<u>SMM-HA</u>	<u>SMM-HB</u>	<u>SMM-HC</u>	<u>SMM-HD</u>	<u>SMM-HE</u>
Description	Attachment	Holder for Neural Probes	Holder for Neural Probes	Cannula Holder	Multiuse Holder	Multiuse Holder

Specifications are subject to change without notice.

Copyright © NARISHIGE Group. All Rights Reserved. 1999-2019