

# SRP-5M-HT2

## Stereotaxic Instruments (for Mice/MRI-compatible)

**NEW**

### MRI-compatible stereotaxic instrument for mice.

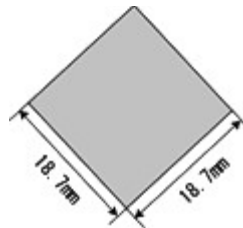
When a 100% plastic head holder is detached from the base plate, MRI measurement can be performed in stereotaxic fixation.



\* Stereotaxic micromanipulators such as [SM-15R](#) is sold separately.

#### AP frame bar size

Narishige produces world standard 18.7mm square shape AP frame bar. Please be advised when mounting on your existent frames since our stereotaxic manipulators are tailored for 18.7mm AP frame bar.

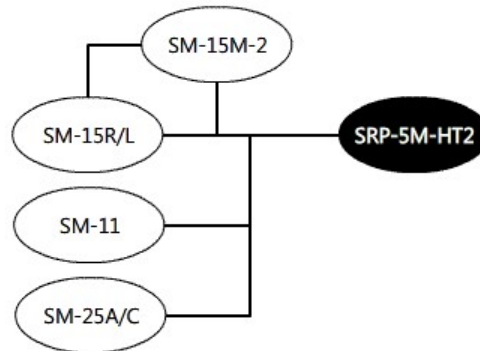


## Specification

<b>Accessories included</b>	Ear Bars Mouth/Nose Clamp Hex Wrench
<b>Dimensions (Base plate)</b>	W400 × D300 × H110mm
<b>Total weight</b>	Approx. 7.4kg

\* The anesthetic mask (GM-4) cannot be attached to this head holder.

## System Diagram



- refers to the model itself with standard attachments
- refers to attachable main accessories
- refers to types of mounting adaptors

Specifications are subject to change without notice.

Copyright © NARISHIGE Group. All Rights Reserved. 1999-2019