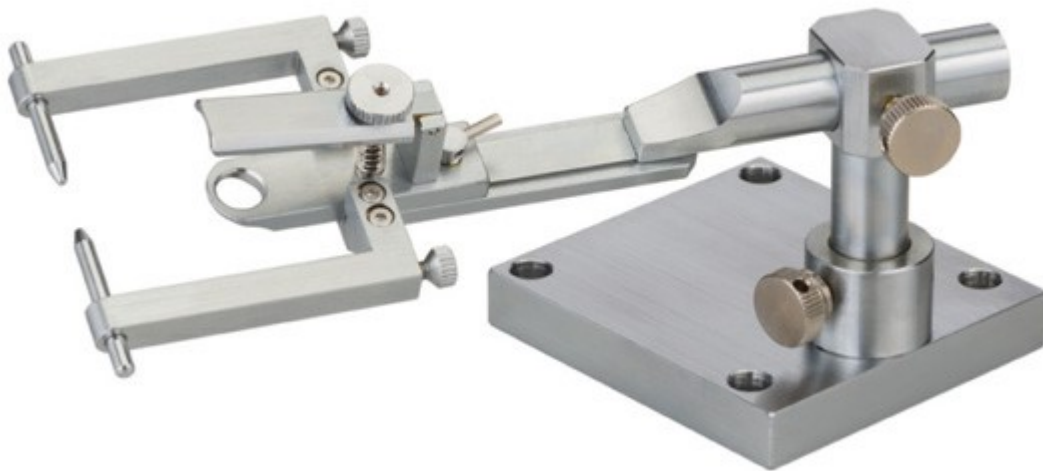


SG-3N

Head Holder for Rats

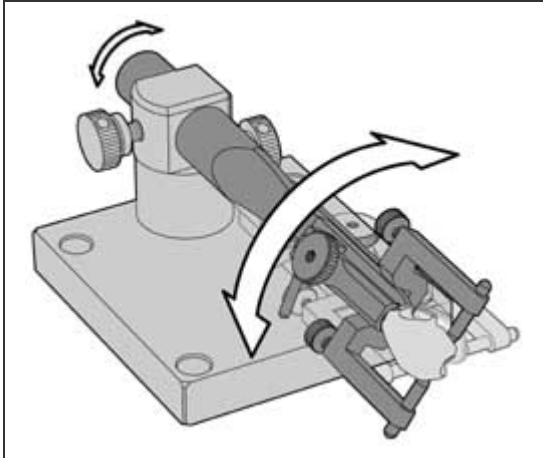
Suitable for setting on a microscope stage.

This simple and compact model is designed for the purpose of fixing the head, with special consideration paid to the ease of use on a microscope stage. The clamping method is based on three-point fixation (mouth, nose and ears), ensuring that the head is easily and firmly fixed in position. By attaching the mouth/nose clamp and ear bar to a single bar, the instrument allows the head angle to be freely adjusted through 360°. The holder's overall compact size makes it possible to be used for many different purposes. It can be placed on the iron plate in combination with a thin type magnetic stand ([GJ-12](#)). The SG-3N is for rats, and the [SG-4N](#) for mice.



SG-3N

Head Holder for Rats



Head rotatable design.



Example for Mounting on a microscope stage.
Olympus BX51WI & Arm adjust adaptor.

Specification

Dimensions/Weight	W140 ~ 180 × D60 × H43 ~ 56mm, 510g
--------------------------	-------------------------------------

* The anesthetic mask (GM-3) cannot be attached to this head holder. SGM-3 is available.

Specifications are subject to change without notice.

Copyright © NARISHIGE Group. All Rights Reserved. 1999-2019