

## **GM-3**

### **Anesthetic Mask for Rats**

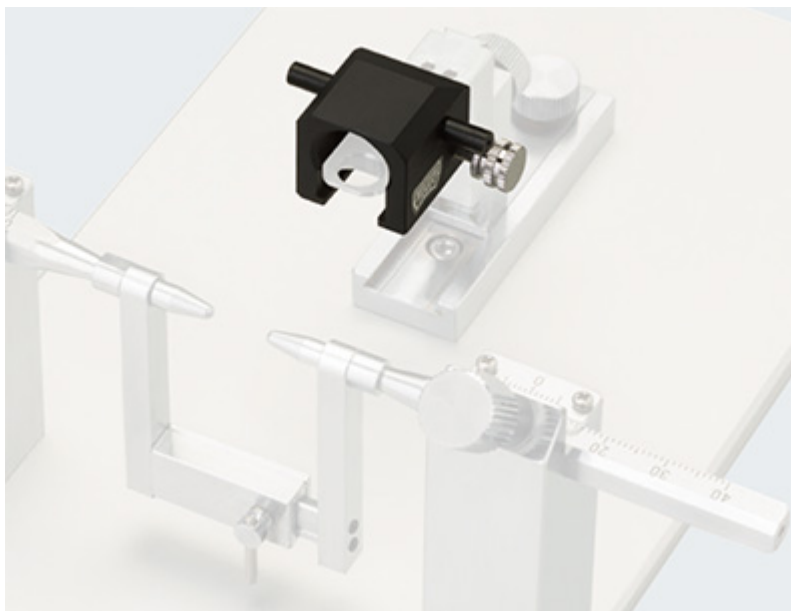
This extremely compact anesthesia mask hold the nose in place when attached to the holding adaptor's nose holder. The lab animal can be held firmly at 3 points (ear/mouth/nose). The GM-3 for rats is used with the SR-5R-HT / SR-6R-HT or RA-6N while the GM-4 for mice is used with the SR-5M-HT / SR-6M-HT or MA-6N.



# GM-3

## Anesthetic Mask for Rats

### Setting example



Setting example

### Specification

<b>Dimensions/Weight</b>	W22 × D35 × H19mm, 18g
<b>Inlet/outlet connecting port for anesthesia</b>	Outer diameter ø4mm

\* This mask cannot be attached with the head holder for MRI measurement ([SRP-AR](#)) or newborn rats/mice ([SRS-A](#)).

\* GM-3 cannot be attached to [SG-3N](#). To mount GM-3 on a head holder, [SGM-3](#) is available.

Specifications are subject to change without notice.

Copyright © NARISHIGE Group. All Rights Reserved. 1999-2019